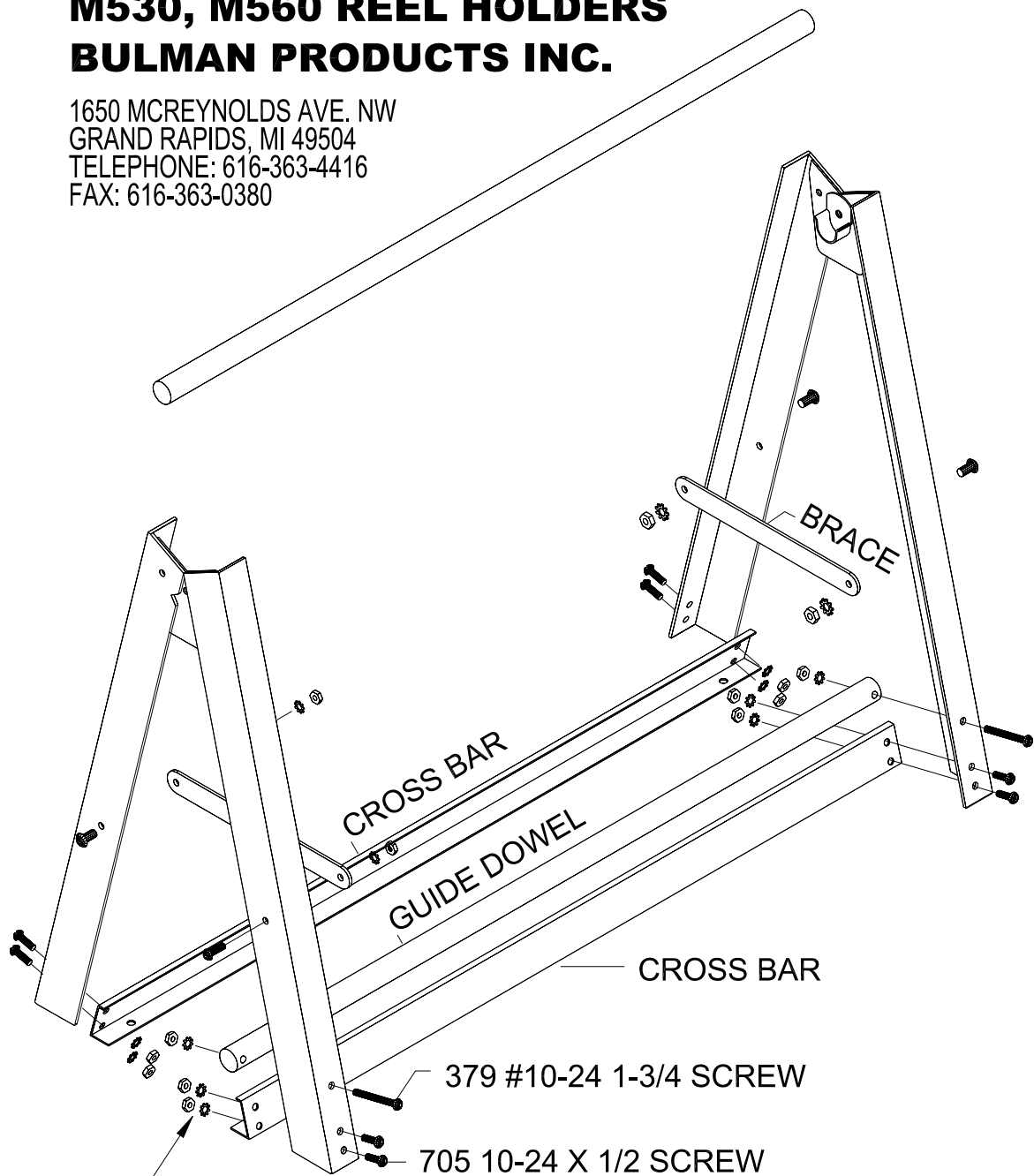


# M530, M560 REEL HOLDERS BULMAN PRODUCTS INC.

1650 MCREYNOLDS AVE. NW  
GRAND RAPIDS, MI 49504  
TELEPHONE: 616-363-4416  
FAX: 616-363-0380



#381 #10 LOCK WASHER  
#380 #10 HEX NUT  
OR  
#3800 #10 KEPS HEX NUT

DATE 11-9-94, 9-27-07, 11-30-11  
PATH: C:\3DV2\3DD\ASSY\DRAW\M530INS3.3DD  
I:\Marci\C7\M53060\M530INS5 11 30 2011.ckd

## ASSEMBLY INSTRUCTIONS.

1. FASTEN THE BRACES TO THE LEG ASSEMBLIES USING TWO SCREWS LOCK WASHERS AND NUTS AS SHOWN IN THE ILLUSTRATION.
2. FASTEN THE CROSS BARS AND GUIDE DOWEL AS SHOWN IN THE ILLUSTRATION. USE #10-24 X 1-3/4 MACHINE SCREWS, AND KEPS NUTS FOR GUIDE DOWEL.

NOTE: THE DOWEL SOCKETS ARE SHOWN IN THE COUNTER MOUNT POSITION. THE DOWEL SOCKETS HAVE TO BE TURNED WHEN ATTACHING TO A WALL OR UNDER A COUNTER.



M530 – M560 shown with A694 cutter.