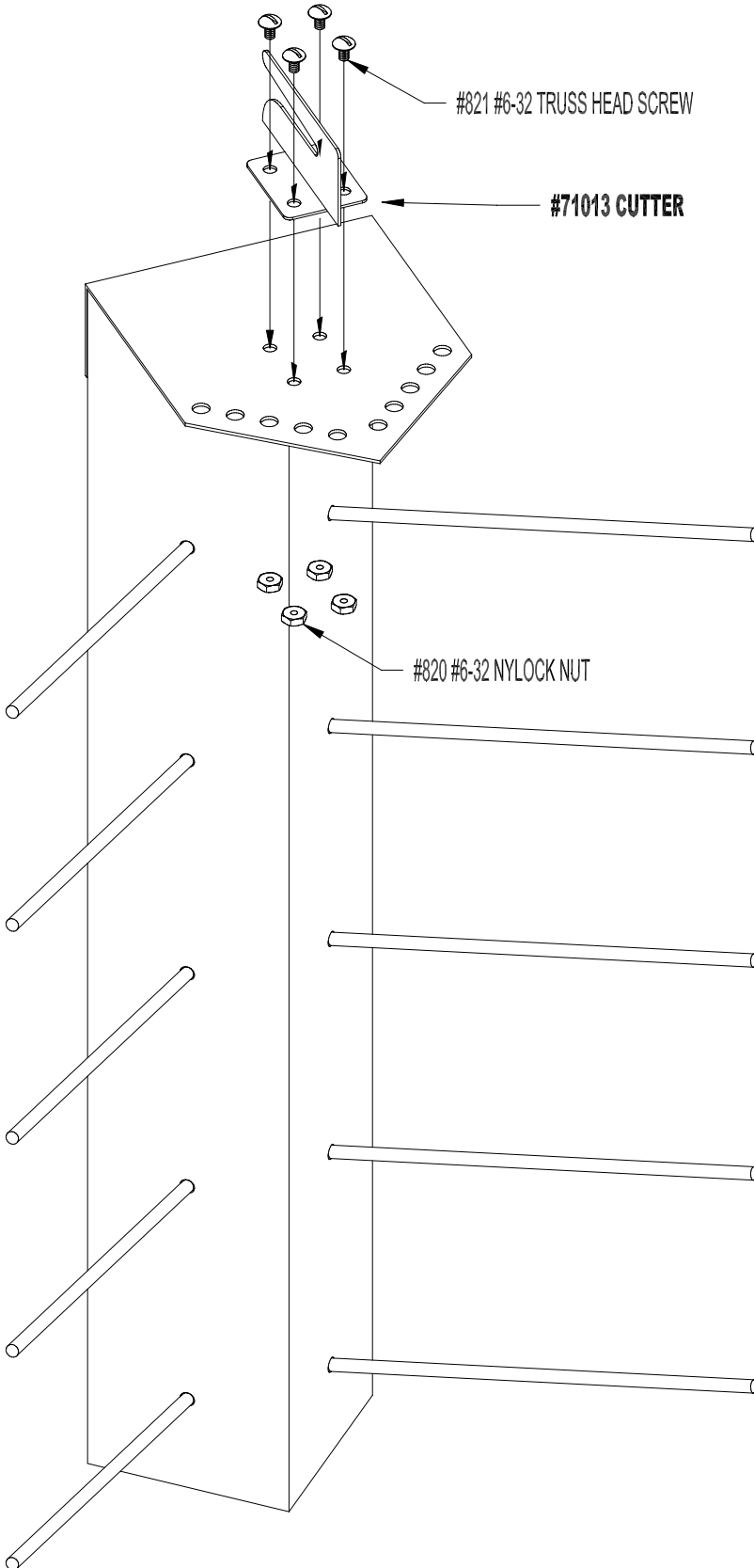


1650 McReynolds Avenue, N.W.
Grand Rapids, Michigan 49504-2043
Phone: (616) 363-4416 Fax: (616) 363-0380
www.bulmanproducts.com

M710 WALL MOUNT RIBBON DISPENSER



THE M710 CAN BE MOUNTED ON A SLATWALL.

1. FASTEN THE CUTTER WITH THE SCREWS & NUTS AS SHOWN.
 2. DRILL TWO HOLES VERTICALLY 16-1/2" APART FOR THE WALL MOUNTING FASTENERS.
 3. PUT THE WALL MOUNTING FASTENERS IN THE DRILLED HOLES.*
 4. THE SCREWS SHOULD STICK OUT SLIGHTLY SO THE KEYHOLES CAN LOCK ON TO THE SCREWS.
- *WALL MOUNTING FASTENERS ARE NOT PROVIDED. SELECT FASTENERS ACCORDING TO TYPE OF WALL.