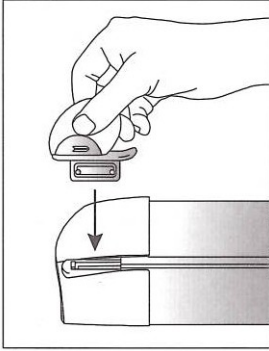


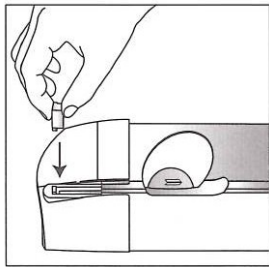
▼▼▼▼▼ BULMAN Products, Inc.

1 Inserting the knife



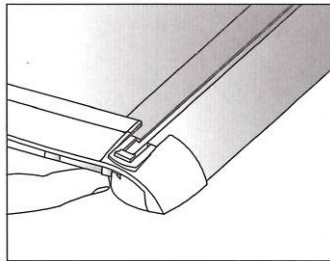
Insert cutter

2 Inserting the Plugs

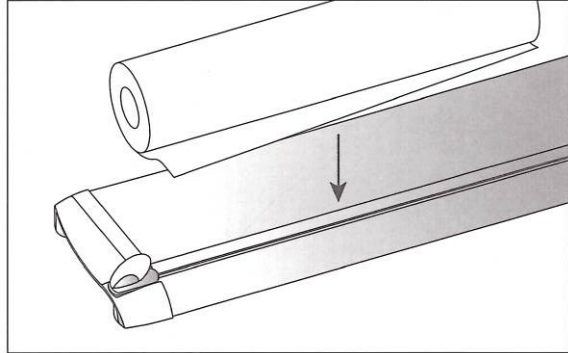


3 Removing the Plugs

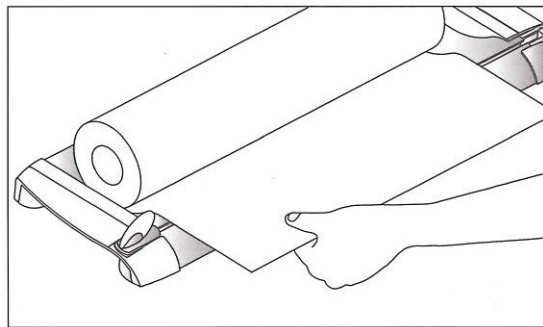
Press up from below



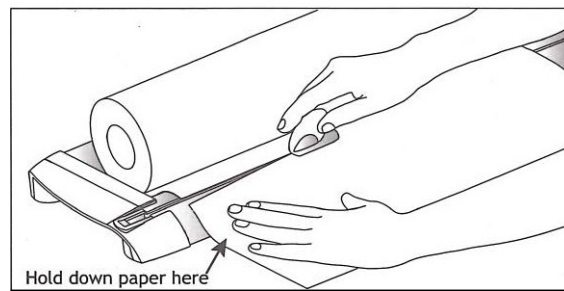
4 Placing the roll



5 Pulling the Roll



6 Cutting



WHERE AVERAGE DOESN'T CUT IT.