

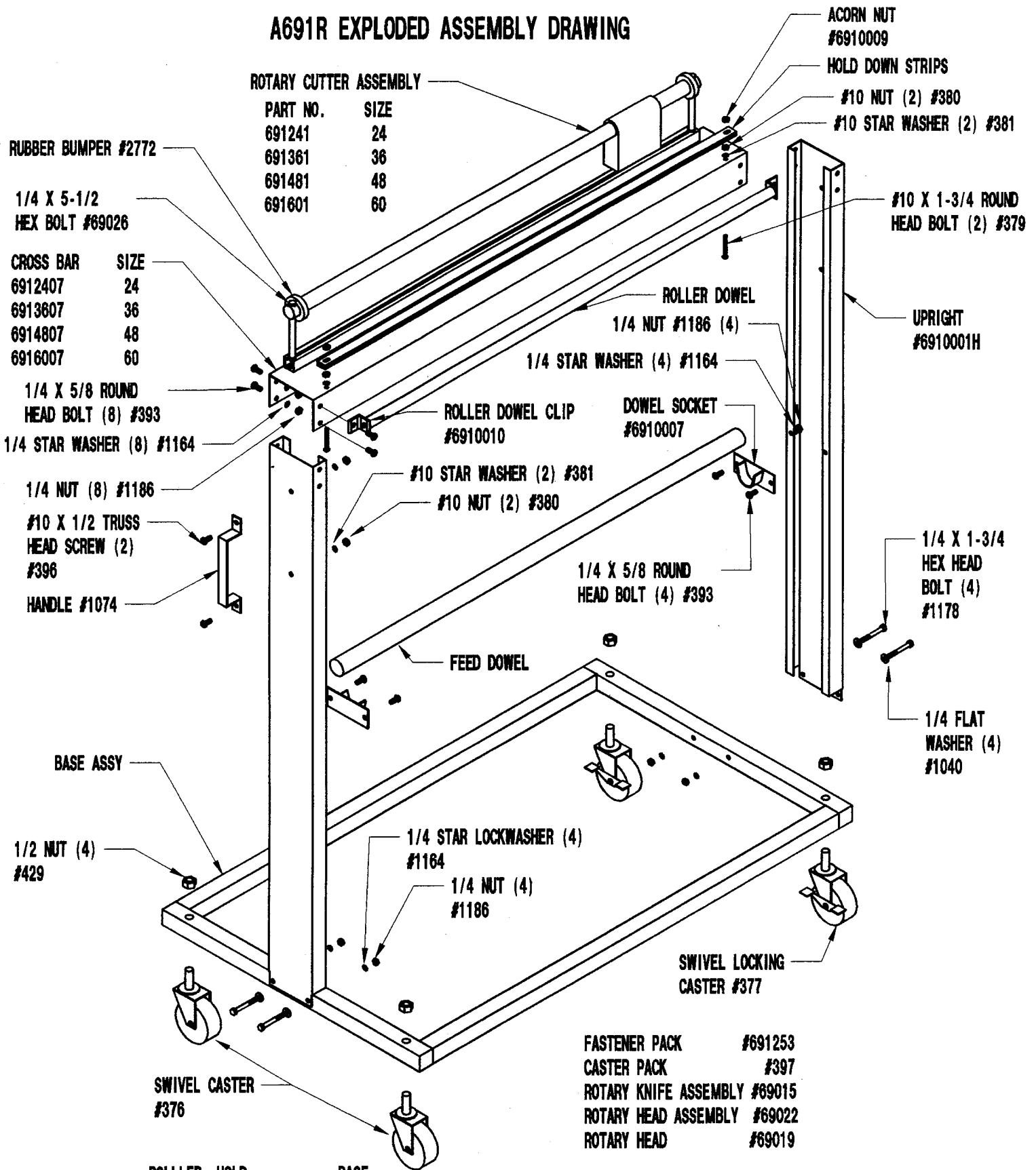


1650 McReynolds, N.W.
Grand Rapids, Michigan 49504-2091
616/363-4416, 616/363-4417
Fax: 616/363-0380

A691R PORTABLE SHEAR CUTTER 24", 36", 48", 60" INSTRUCTION SHEET

1. Attach the three hold down strips with two #10 x 1-3/4" round head bolts, two #10 lock washers, two #10-24 hex nuts and two #10 acorn nuts, as shown in the exploded assembly drawing.
2. Attach the two uprights to the base assembly as shown in the exploded assembly drawing.
3. Attach the cross bar, two roller dowel clips and the 3/4" diameter roller dowel to the uprights as shown in the exploded assembly drawing. NOTE: Attach the first roller dowel clip to the cross bar and upright, insert one end of the roller dowel into that clip. Insert the other end of the dowel into the unattached clip before securing it to the crossbar and upright.
4. Attach the dowel sockets to the uprights as shown in the exploded assembly drawing.
5. Attach the handle to one of the uprights as shown in the exploded assembly drawing.
6. Attach the four casters using four 1/2-13 hex nuts as shown in the exploded assembly drawing.
7. Insert the 1-1/4" feed dowel through the core of the material to be dispensed. If core plugs are included with your material, use them. Insert the dowel onto the dowel sockets.
8. Feed the material over the top of the roller dowel and under one, two, or all three of the hold-downs if necessary to prevent rollback.
9. Your A691R Portable Shear Cutter is ready to dispense.

A691R EXPLODED ASSEMBLY DRAWING



BULMAN PRODUCTS, INC. GRAND RAPIDS, MICHIGAN 49504-2043
 PHONE: 616-363-4416 FAX: 616-363-0380