

▼▼▼▼▼ BULMAN Products, Inc.

1650 McReynolds Avenue, NW
 Grand Rapids, Michigan 49504-2091
 616/363-4416, 616/363-4417 Fax: 616/363-0380
 www.bulmanproducts.com

FOOD WRAP DISPENSER A550-12, 18, 24

FIGURE 1

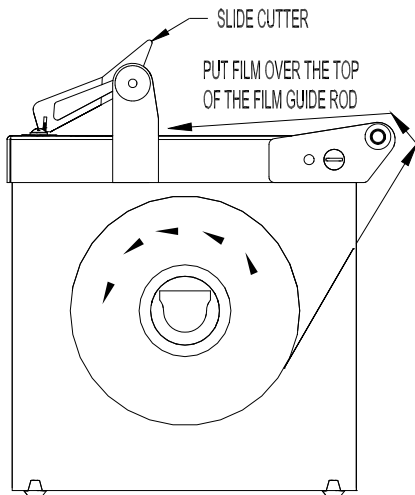
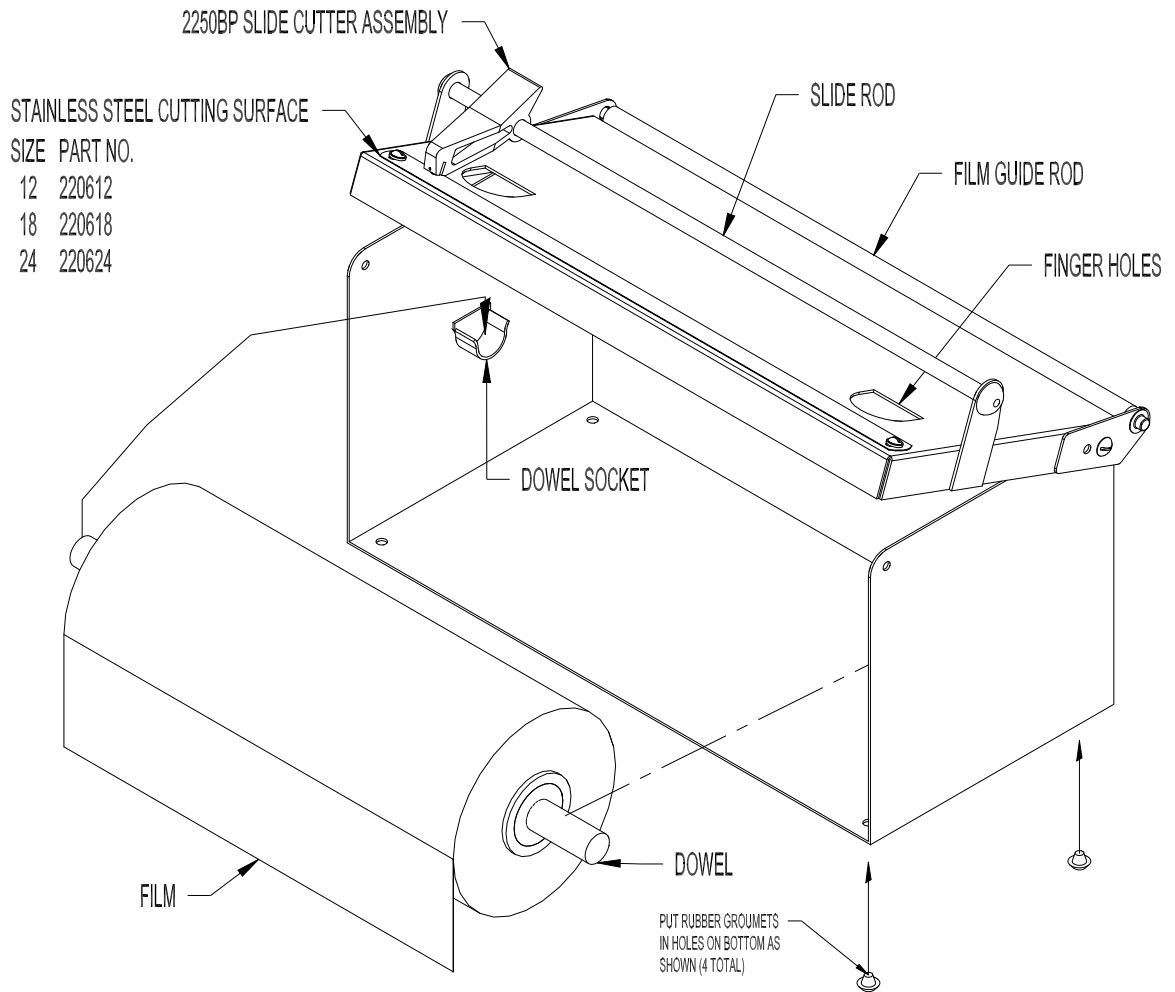


FIGURE 2

