

# BULMAN Products, Inc.

TOWER ASSEMBLY INSTRUCTIONS FOR T367R, T342R- ALL SIZES  
T368R, T343R- THROUGH 36" & T369R, T344R- THROUGH 30"

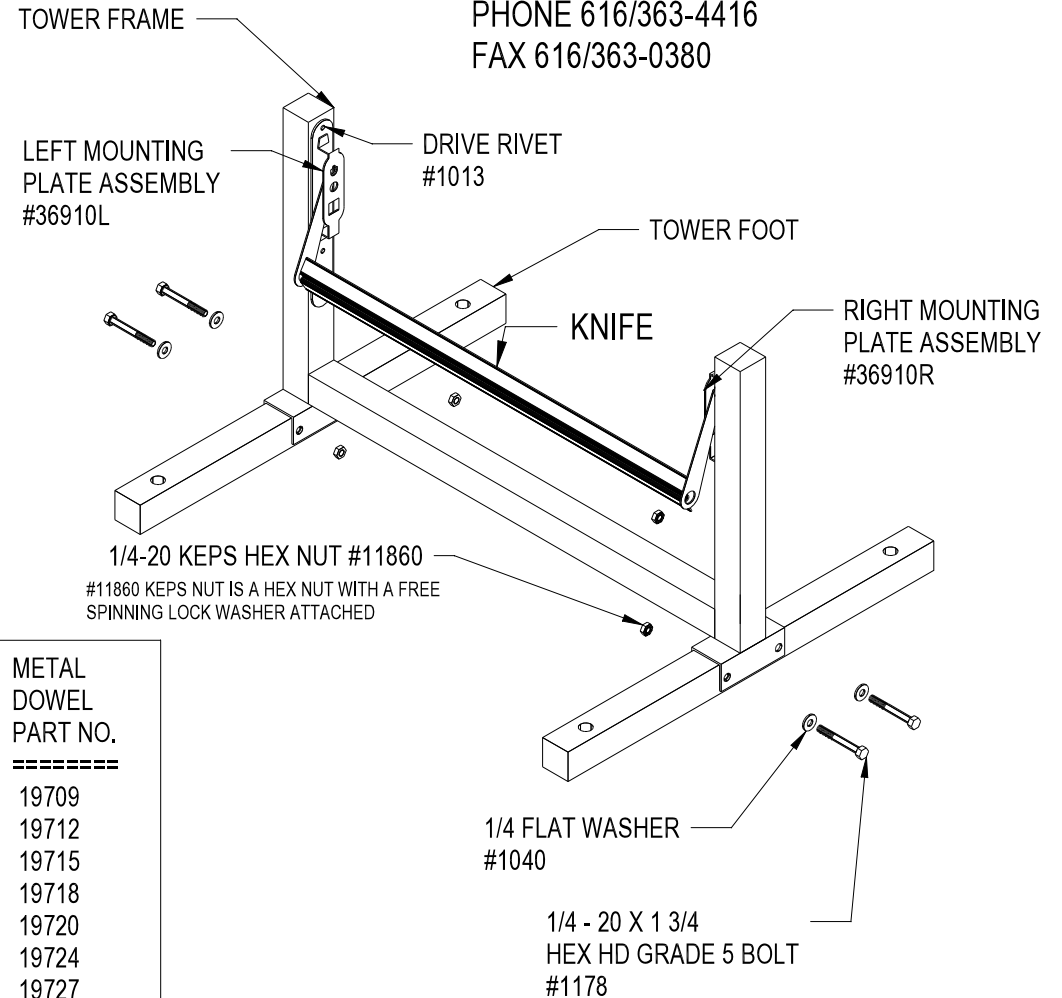
1650 MCREYNOLDS NW  
GRAND RAPIDS, MI 49504  
PHONE 616/363-4416  
FAX 616/363-0380

FASTEN THE 2 FEET ONTO THE  
FRAME OF THE TOWER AS  
SHOWN IN THE ILLUSTRATION  
BELOW USING:  
4 BOLTS, KEPS NUTS & WASHERS.

FASTENER PACK PART NO. 251

CASTER PACK PART NO. 397

(Casters are optional. Locking casters may be  
attached kitty-corner or catercorner if desired.)



©CADKEY/TWINS/TWINS.PRT  
©CCTW/FRTS/TWINS.PRT  
15-1-95 D6 MKW REV 1-27-97 MKW 1-16-14

DECK TOWER SIZE	FOOT PART NO.	KNIFE PART NUMBERS		WOOD DOWEL PART NO.	METAL DOWEL PART NO.	
		SIZE	SERRATED			REGULAR
=====	=====	9	2330909	2270909	17309	19709
T367R		12	2331212	2271212	17312	19712
T342R	3670118	15	2331515	2271515	17315	19715
=====	=====	18	2331818	2271818	17318	19718
T368R		20	2332020	2272020	17320	19720
T343R	3680122	24	2332424	2272424	17324	19724
=====	=====	27	2332727	2272727	17327	19727
T369R		30	2333030	2273030	17330	19730
T344R	3690124	36	2333636	2273636	17336	19736
=====	=====	48	2334848	2274848	17348	19748