

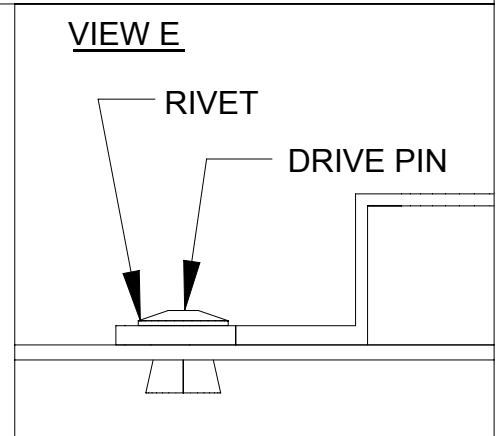
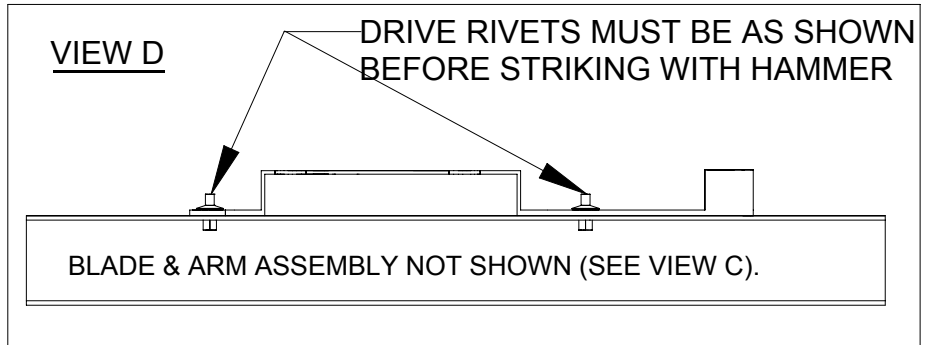
# Assembly Instructions for the Four Deck Tower Units

## T369 4-High Regular T344 4-High Serrated

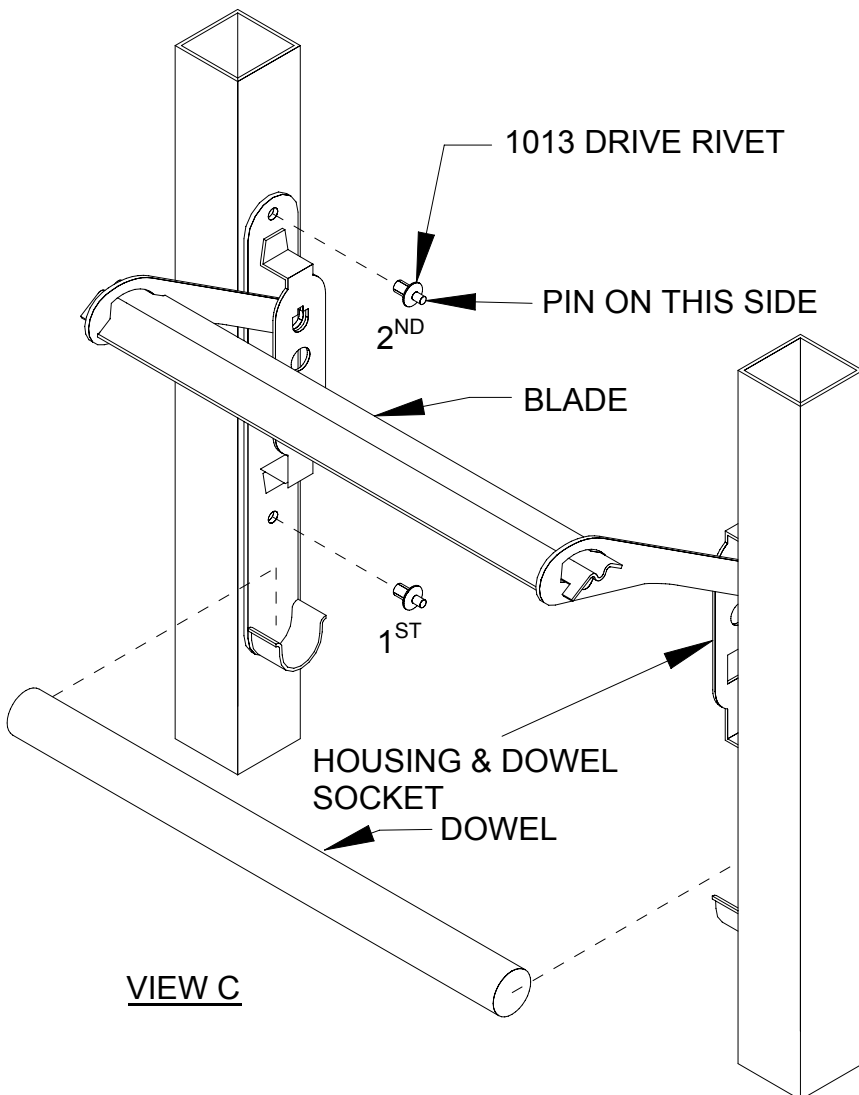
**\*\*Tools:** Hammer & (2) 7/16" Wrenches

1. Place the upright, top cross tube, assembled upright & bottom cross tube on a table making a rectangle as shown in View A.
2. Fasten a 1/4-20 x 2" bolt with one 1/4 flat washer and 1/4-20 keps nut at each top end of the frame as shown in View A.
3. Fasten a foot to the bottom cross tube & upright using two 1/4-20 x 2" bolts with and 1/4-20 keps nuts as shown in View A.
4. Repeat step 3 for fastening the other foot. (Tighten all nuts & bolts.)
5. Lay the frame on its upright side. (The side without the housing assemblies on it.)
6. Insert a blade in the hole of one of the attached right arms. See Views B & C.
7. Insert the left end of the blade in the hole of the left arm as shown in Views B & C.
8. Attach the housing & dowel socket assembly to the appropriate position on the upright with two drive rivets. See Views C, D & E.
9. Use a hammer to pound the pin into the rivet while the rivet is inserted into the housing & upright holes.
9. Repeat steps 7 & 8 for the remaining stations.

DESCRIPTION	PART NO.
Drive Rivet	1013
Right Housing & Dowel Socket	36901RG
Left Housing & Dowel Socket	36901LG
Regular Blade	2273636
Wood Dowel	17336
Metal Dowel	19736



**NOTE: DO NOT OPEN THE ARM ON THE HOUSING ASSEMBLY PRIOR TO MOUNTING THE HOUSING ASSEMBLY.**

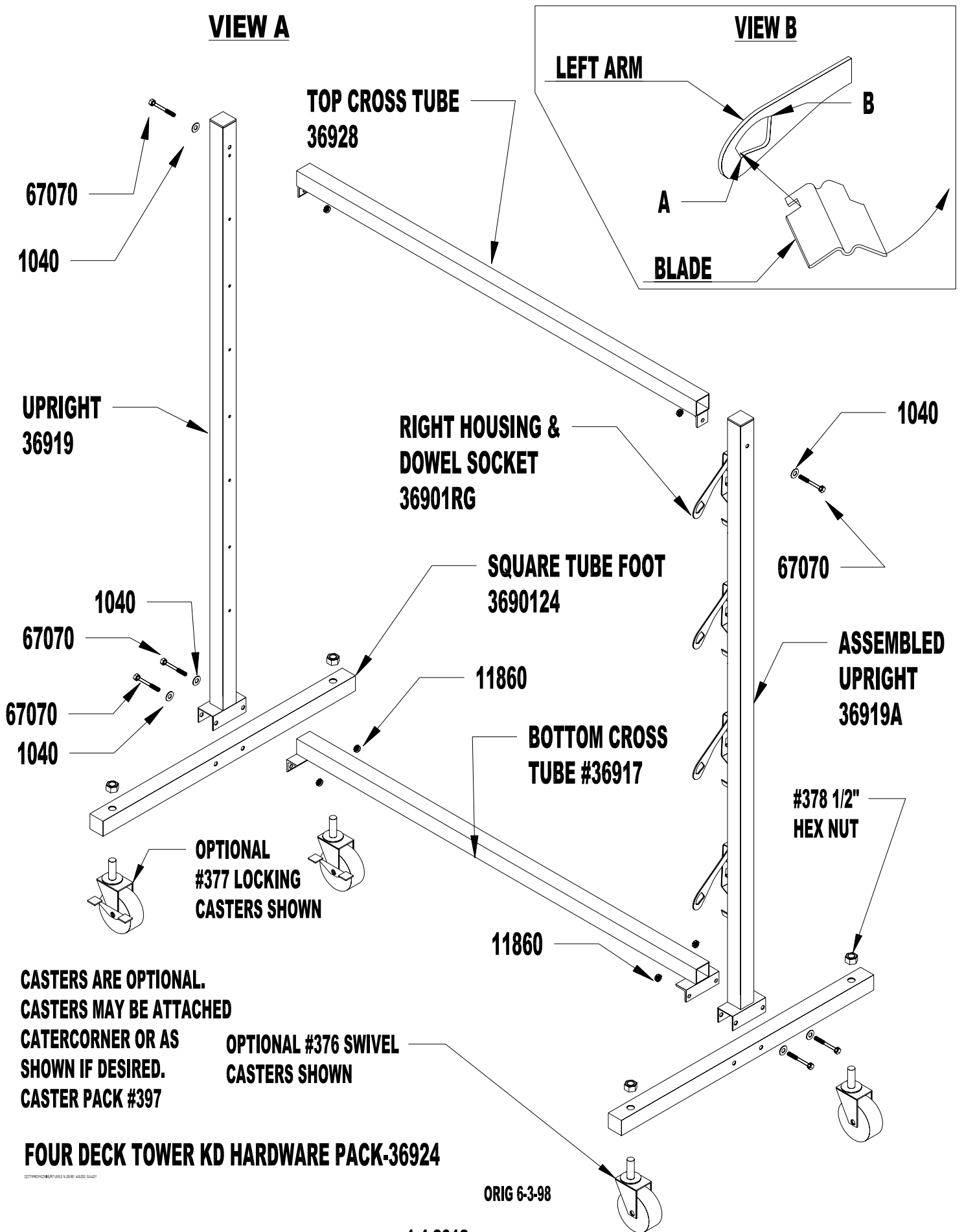


1. Put both rivets thru holes in housing and square tubing as shown.
2. Hold 2<sup>nd</sup> rivet and housing with one hand. Hit the 1<sup>st</sup> rivet with a hammer until the pin is flush with the head of the rivet.
3. Hold the housing with one hand and hit the 2<sup>nd</sup> rivet with a hammer until the pin is flush with the head of the rivet.

**NOTE: THE DOWEL RESTS IN THE DOWEL SOCKETS NOT ON THE TEAR OFF BAR.**

**VIEW A**

**VIEW B**



**CASTERS ARE OPTIONAL.  
 CASTERS MAY BE ATTACHED  
 CATERCORNER OR AS  
 SHOWN IF DESIRED.  
 CASTER PACK #397**

**OPTIONAL #376 SWIVEL  
 CASTERS SHOWN**

**FOUR DECK TOWER KD HARDWARE PACK-36924**

©2010 HONDA MOTOR CO., LTD. ALL RIGHTS RESERVED.

ORIG 6-3-98

1-4-2012

PAGE 2 OF 3

Parts list for the four high deck tower units.

<u>Quantity</u>	<u>Description</u>	<u>Part Number</u>
1	Four Deck Tower KD Hardware Pack	36924
4	Regular Blades	227_____*
4	Wood dowels	173_____**
1	Upright	36919
1	Assembled upright with right housing assemblies	36919A
2	Square tube feet	3690124
1	Bottom cross tube	36917
1	Top cross tube	36928
4	Left Housing & Dowel Sockets Assemblies	36901LG

The Four Deck Tower KD Hardware Pack #36924 listed above contains the following parts:

6	1/4-20 x 2" Hex bolts	67070
6	1/4 Flat washers	1040
6	1/4-20 Keps hex nuts	11860
8	Drive rivets	1013

The 1/4-20 Keps hex nuts are hex nuts with a free spinning lock washer attached.

The Assembled upright with right housing assemblies listed above contains the following parts:

4	Right Housing & Dowel Socket Assemblies	36901RG
1	Upright	36919
8	Drive Rivets	1013

Optional parts.

<u>Description</u>	<u>Part Number</u>
Serrated blade	233_____*
Metal dowel	197_____***
Caster pack	397

\*0909, 1212, 1515, 1818, 2020, 2424, 2727, 3030, 3636, 4848

\*\*09, 12, 15, 18, 20, 24, 27, 30, 36

\*\*\*09, 12, 15, 18, 20, 24, 27, 30, 36, 48