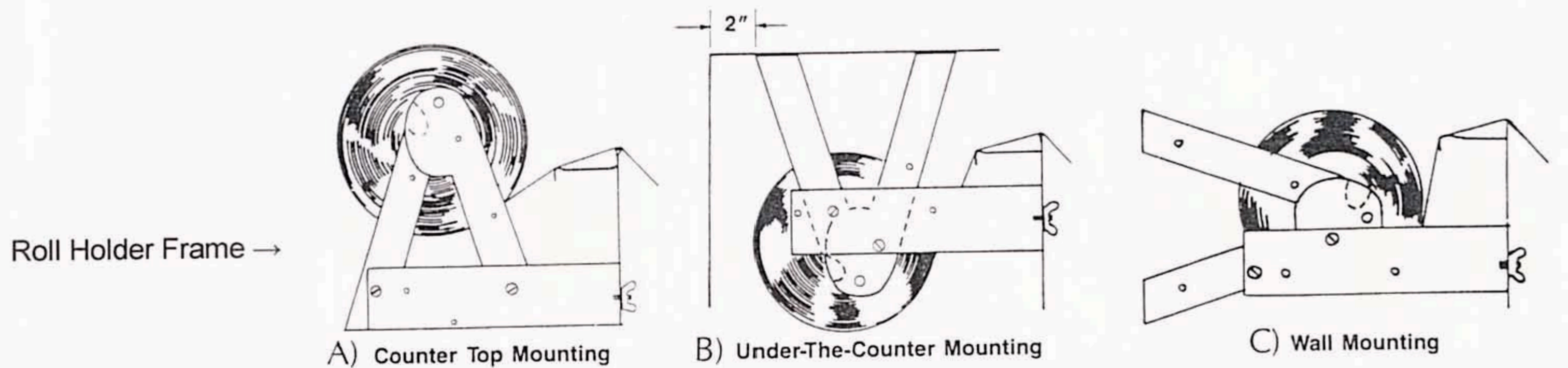


1650 McReynolds Avenue, N.W.
 Grand Rapids, Michigan 49504-2043
 Phone: (616) 363-4416 • Fax: (616) 363-0380
 www.bulmanproducts.com

A570/A575 FOOD FILM DISPENSER ASSEMBLY INSTRUCTIONS



Note:
 Use the right L-shaped bracket on the left side & the left L-shaped bracket on the right side when assembling for wall mounting.

- The dispenser is packed in one box, consisting of the following pieces:
 - 1 roll holder frame with dowel
 - 2 L-shaped brackets (right and left)
 - 1 adjustable cutting section
 - Hardware pack consisting of four #10 round head bolts and hex nuts, two 1/4" x 5/8 round head bolts, two wing nuts and four rubber feet (to be used for counter protection).
 - Set of two core plugs for inserting into ends of roll. (Retain for future use.)
- Open roll holder frame by grasping bottom of legs and pulling apart, until locking in place. If unit is to be wall mounted or permanently attached to a counter, perform this task now. (Note: If wall mounting, be sure to position roll holder frame so opening in dowel holders is up. Also, hardware to attach to wall or counter is not included.) If unit is not permanently attached to counter, install 4 rubber feet into holes at bottom of frame.
- Attach L-shaped brackets with #10 x 3/8" round head bolts and hex nuts. (See figures A, B, C)
- Attach adjustable cutting section by positioning with 1/4" x 5/8" bolts on L-shaped brackets, with wing nuts. (See figures A, B, C)
- Mount film roll on dowel and place in dowel holders. Adjust cutting section for best dispensing.

